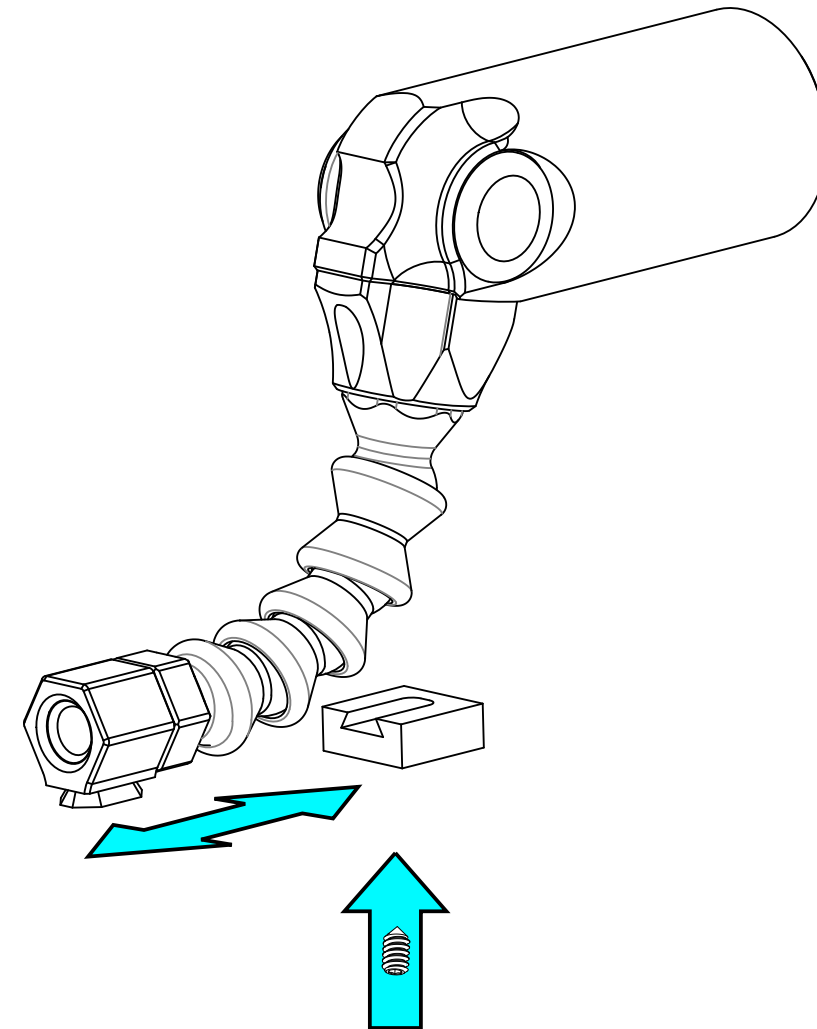




Mounting Application Guide

This document is intended to provide a guide for individuals or OEMs wishing to develop 3rd party mounts for the Shearwater Near Eye Remote Display dive computer.

For additional assistance, contact support@shearwaterresearch.com



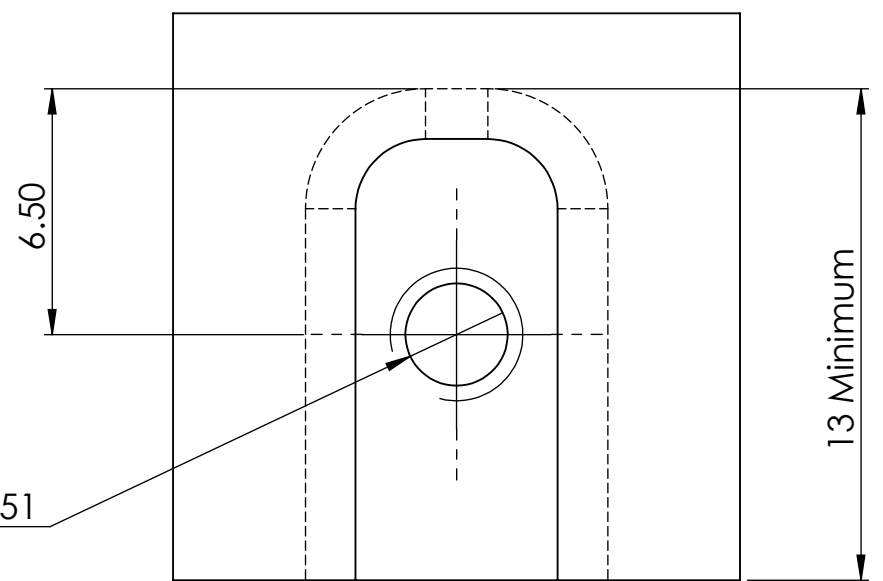
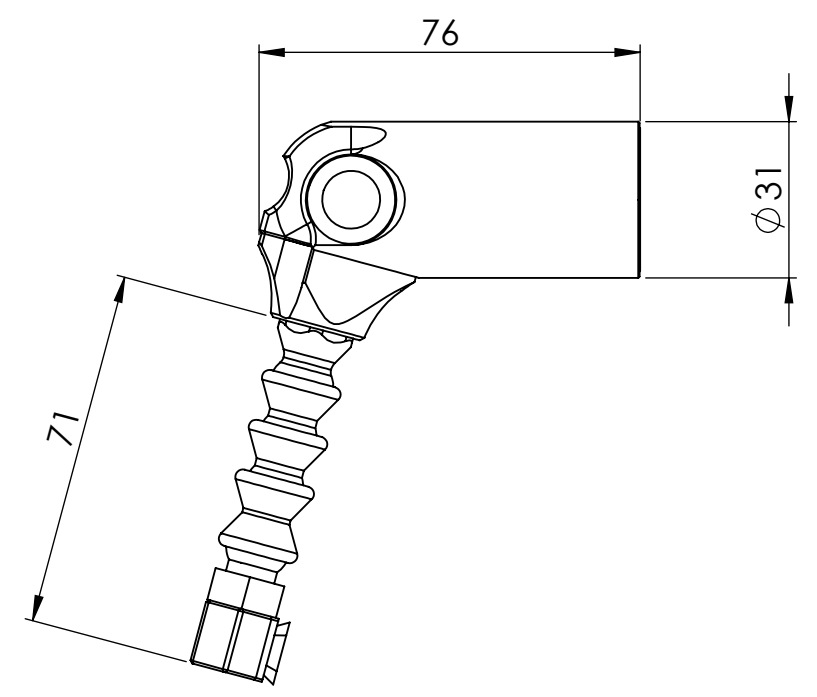
8 7 6 5 4 3 2 1

D

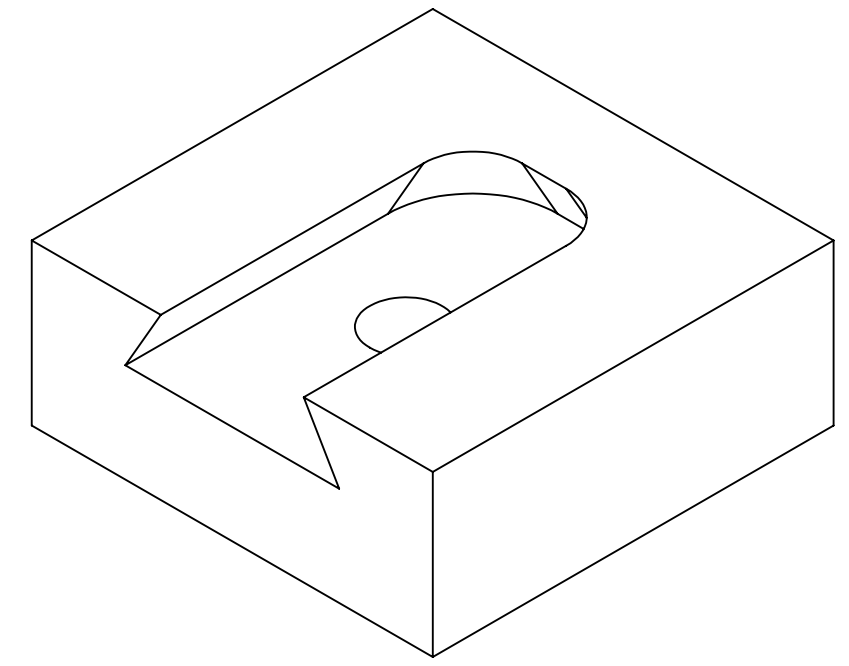
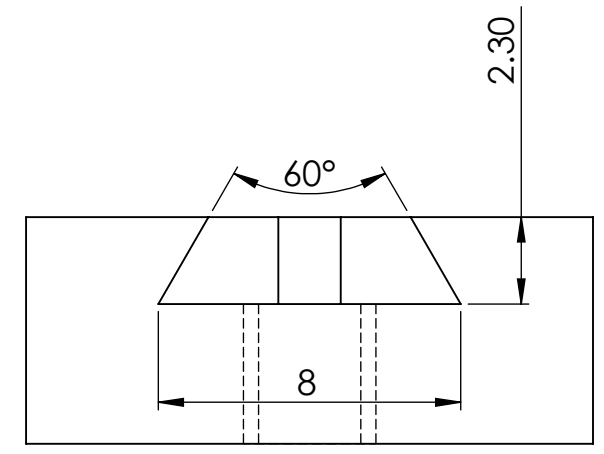
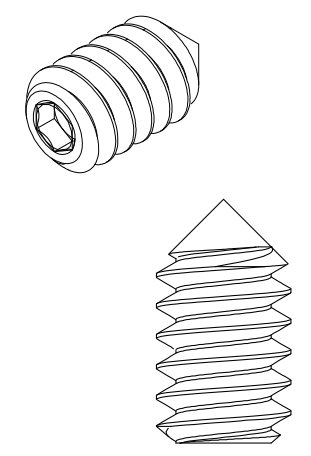
C


B

A



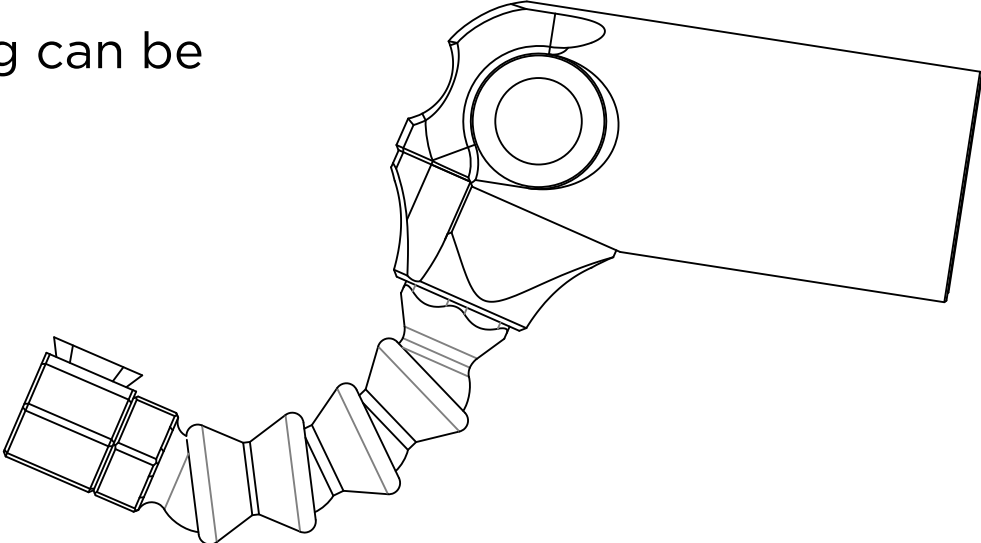
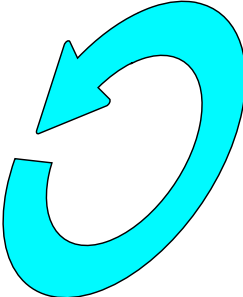
Ø2.71 THRU
6-32 UNC THRU
For Set Screw
McMaster Carr Part # 90778A151



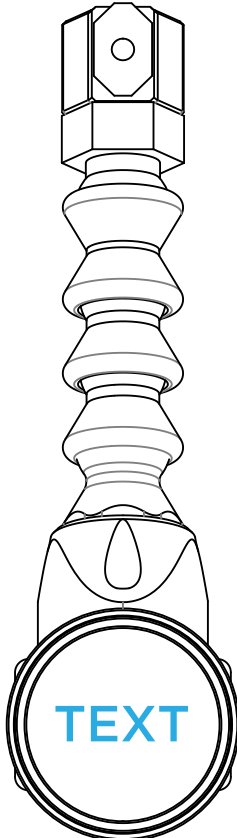
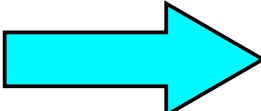
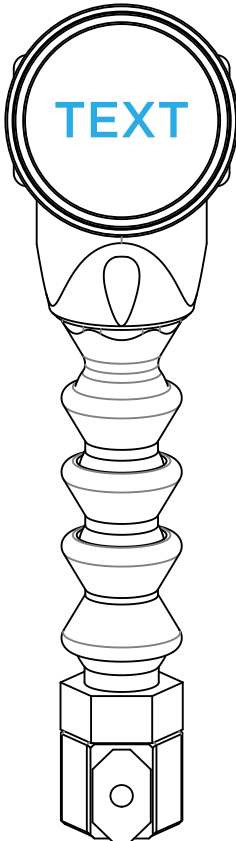
MATERIAL Acetal		PROPRIETARY AND CONFIDENTIAL THE INFORMATION CONTAINED IN THIS DRAWING IS THE SOLE PROPERTY OF SHEARWATER RESEARCH. ANY REPRODUCTION IN PART OR AS A WHOLE WITHOUT THE WRITTEN PERMISSION OF SHEARWATER RESEARCH IS PROHIBITED.		 Vancouver, Canada	
WEIGHT:		UNLESS OTHERWISE SPECIFIED: DIMENSIONS ARE IN MILLIMETERS TOLERANCES: LINEAR: ±0.075mm [±0.003"] ANGULAR: ± 1°		TITLE: NERD Mounting Application Guide	
SIZE B		DWG. NO. NERD-MountingApplicatonGuide-DocRevB		Product Version Drawing Revision B	
DRAWN	NAME Kevin Zulonas	DATE 2014-04-04	SCALE: 5:1	SHEET 1 OF 1	

8 7 6 5 4 3 2 1

The dovetail fitting can be rotated 360°



The flexible arm can be bent in any direction with a bend radius of approximately 38mm (1.5")



The display can be flipped to facilitate mounting upside down in system setup